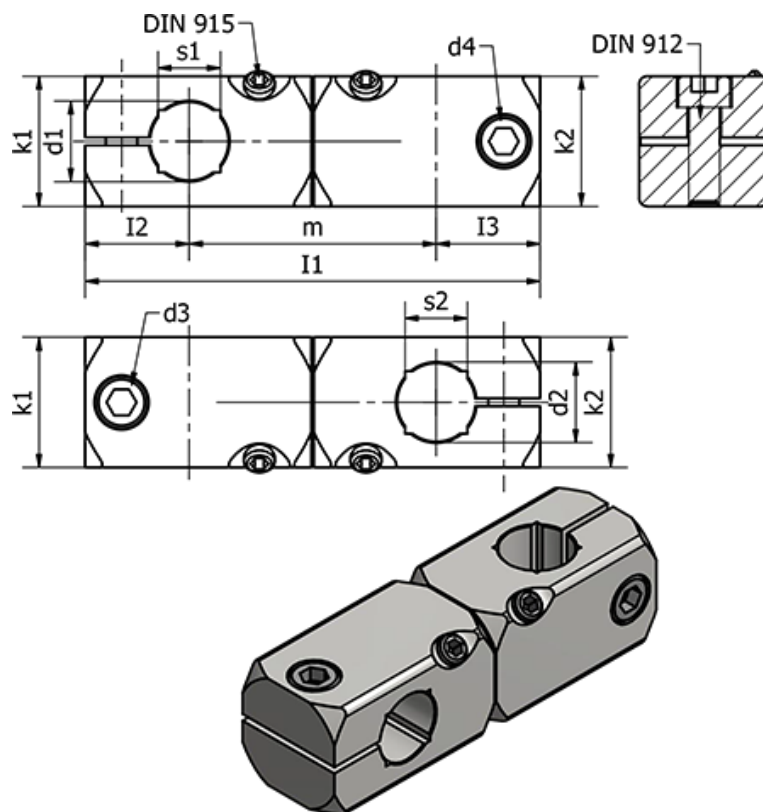


Article number: 20475B20B16ELS

Description: E+G Two-way clamp mounting - GN 475-B20-B16-ELS

Measures



Clamping kit for d3 = GN 511-M6-30

Clamping kit for d4 = GN 511-M6-25

d1 = 20

d2 = 16

d3 = M6

d4 = M6

I1 = 96.5

I2 = 22

I3 = 20

k = 30

k2 = 25

m = 54.5

s1 = 16

s2 = -

Weight (g) = 197